

LED feedback

TEMPERATURE
& FLOW RATE

45s

OPERATING PAUSE

3 custom

QUICKACCESS SETTINGS

from 40°C

SCALDING PROTECTION

TWINLEVEL^o TLI Mini PATENTED

THE EASY-TO-USE OPERATING DEVICE IN MINIATURE FORMAT

TLI Mini is a very small, compact user interface for TLC mixing and flow valves in kitchen fixtures, bathroom sinks, showers, and bathtubs. Never before has it been this easy to integrate the operating unit and design individual and minimalistic fixtures. Plus, each and every TLC function is accessible.

The push button can be turned to adjust the temperature setting or simultaneously pressed and turned

to regulate the flow rate – always maintaining the effortless and precision that is the hallmark of TLI products. Three programmable quick access settings for temperature and flow rate make the user's favorite settings available in an instant. The LED ring provides subtle visual feedback, while integrated scalding protection ensures maximum safety.

MAXIMUM DESIGN FREEDOM

The compact operating unit makes it easy to integrate into customer applications

EASY TO USE, CONVENIENT, AND HYGIENIC

Reliably effortless operation, hygiene functions, and a wide range of settings

VISUAL FEEDBACK

LED ring allows for visualization of the temperature and flow rate

QUICKACCESS

Three temperature settings and programmable flow

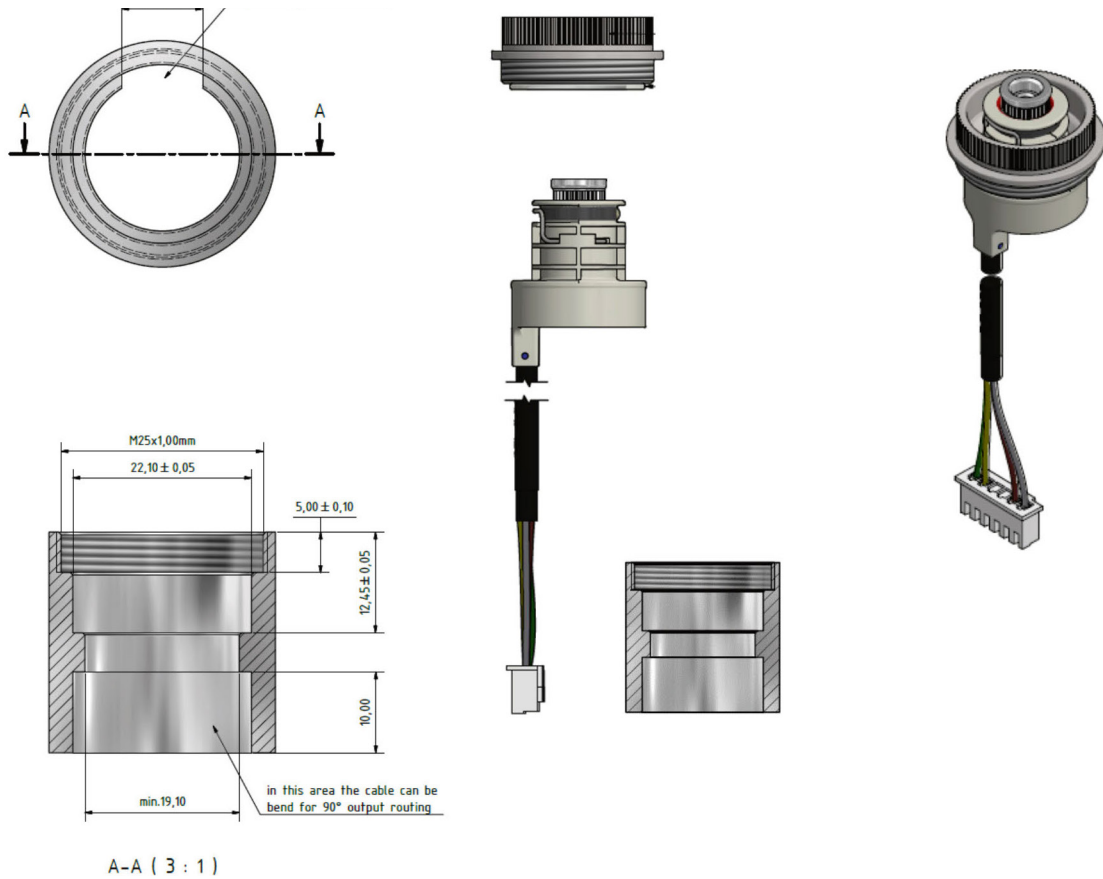
INTEGRATED SCALDING PROTECTION

Gradual increase to temperatures greater than 40°C

Oblamatik AG
La-Nicca-Strasse 12
CH-7000 Chur

P +41 81 553 53 00
sales@oblamatik.ch
oblamatik.ch





DIMENSIONS Ø 28 × 9 mm oder Ø 32 × 10 mm

Specifications

FUNCTIONS

QUICKACCESS

Three programmable settings for temperature and flow rate

TOGGLE

Toggle between two water outlets

OPERATING PAUSE

45 s deactivation

AUTO SWITCH-OFF

Deactivates after 10/45 min of inactivity

SCALDING PROTECTION

Gradual increase to temperatures greater than 40° C

THERMAL DISINFECTION

Heats and flushes fixtures with 70° C water for 3 min

DIAGNOSTIC MODE

Functional test for TLC valves and error indicator

FACTORY SETTINGS

Reset to factory settings

PROTECTION CLASS

IP67

COMPATIBILITY

- > TLC Temperature
- > TLC Double
- > TLC Compact