

TWINLEVEL^o TLC Triple PATENTED

THE HIGH-QUALITY THERMOSTATIC MIXER WITH THREE OUTLETS

TLC Triple is a high-quality thermostatic mixer with flow rate control for multifunction showers. The combination of powerful drives and individually sealable Flühs ceramic cartridges guarantees exceptional quality and durability. The water path has three outlets and is completely encased in brass. The connections consist of a plug nipple with 1/2" internal thread and a press connection.

TLC Triple is actuated by a TLI Vision Wheel or manufacturer-specific interface. Three processors provide continuous monitoring of both the functions and the electronics.

The (optional) effective flow rate measurement can be used to determine the precise amount of water. Thanks to the (optional) integrated rechargeable battery, TLC Triple can still be used even during a power outage.

RELIABLE AND HYGIENIC

Ceramic cartridge from Flühs
Membrane-free design with zero dead space

QUICKACCESS

Three temperature settings and programmable flow rate

FAIL-SAFE

Battery operation is activated in the event of a power outage
Self-monitoring multiprocessor technology

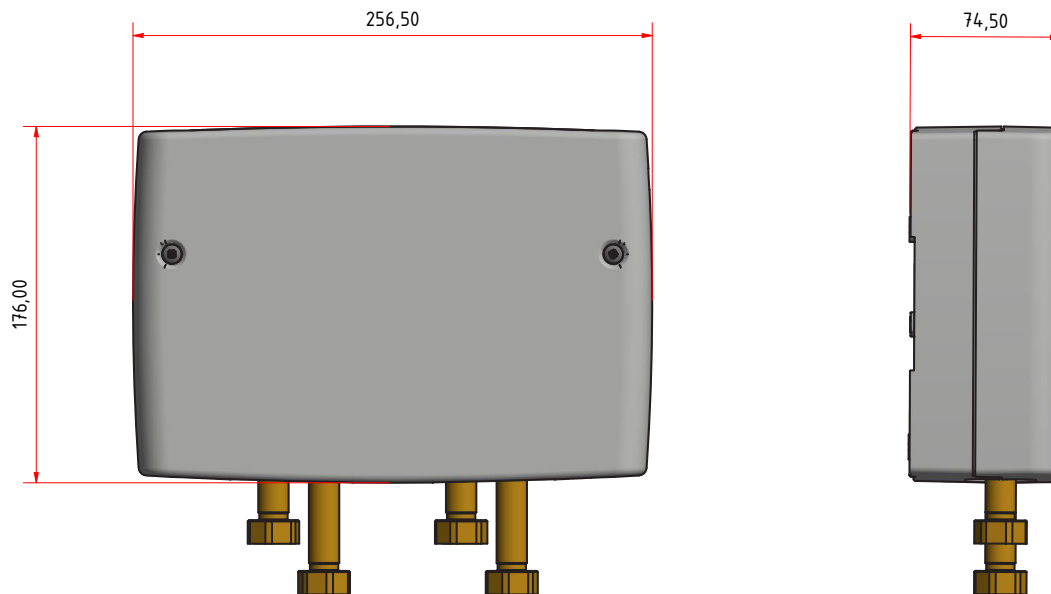
HYWISE-COMPATIBLE

Easy integration into the digital water management system

Oblamatik AG
La-Nicca-Strasse 12
CH-7000 Chur

P+41 81 553 53 00
sales@oblamatik.ch
oblamatik.ch





DIMENSIONS 260 × 175 × 75 mm

Specifications

TECHNICAL DATA

ELECTRONICS

POWER SUPPLY

100–240VAC / 50–60Hz

POWER CONSUMPTION

Standby < 0,5W, max. 45W

ELECTRICAL OUTPUTS

Max. 4 external actuators
(drain valve and solenoid valve)

WATER PATH

INPUT

2 × Rp ½" plug nipple

OUTLET

3 × Rp ½" plug nipple

FLOW RATE

Shower: max. 30l/min at 3 bar,
Bathtub: max. 25l/min at 3 bar

PRESSURE RANGE

0.5–10 bar

USER INTERFACES

- > TLI Air
- > TLI Vision Wheel
- > TLI Dual Wheel
- > Netlevel
- > RS232