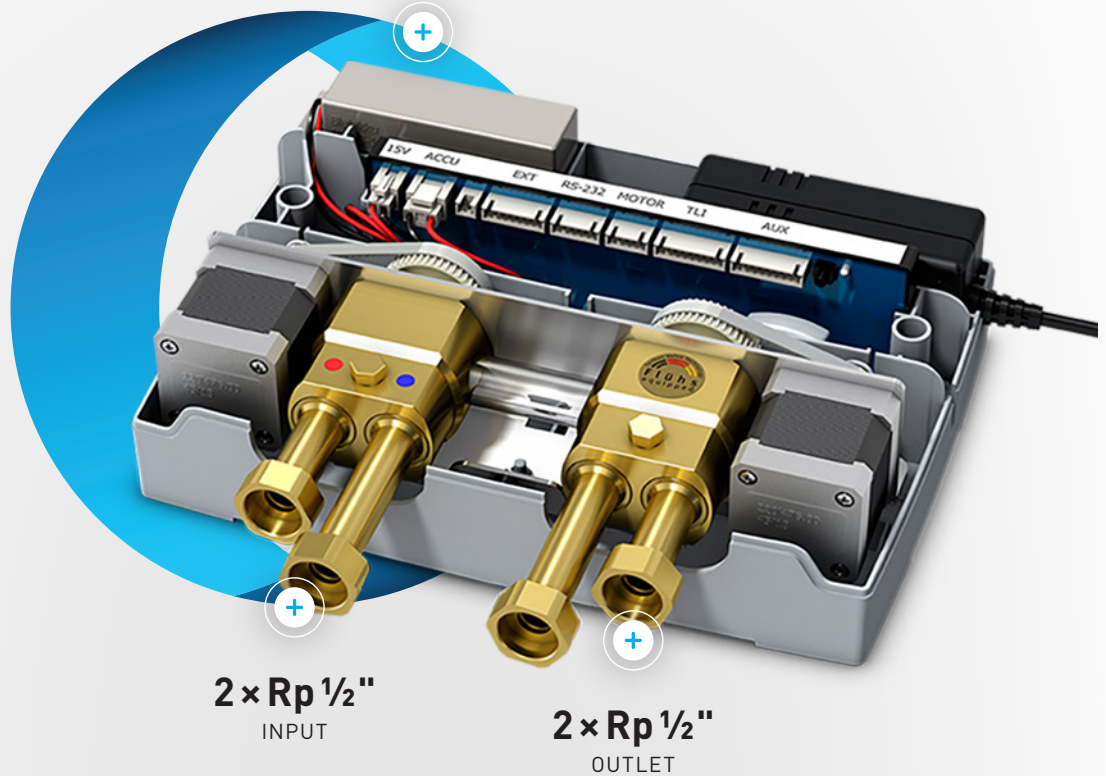




**0.5–10 bar**  
PRESSURE RANGE



**2 × Rp 1/2"**  
INPUT

**2 × Rp 1/2"**  
OUTLET

## TWINLEVEL<sup>o</sup> TLC Double PATENTED

THE HIGH-QUALITY THERMOSTATIC MIXER WITH TWO OUTLETS

TLC Double is a high-quality thermostatic mixer with flow rate control for showers and bathtubs. The combination of powerful drives and individually sealable Flühs ceramic cartridges guarantees exceptional quality and durability. The water path has two outlets and is completely encased in brass. The connections consist of a plug nipple with 1/2" internal thread and a press connection.

TLC Double is actuated by a TLI or manufacturer-specific interface. Three processors provide continuous monitoring of both the functions and the electronics.

The (optional) effective flow rate measurement can be used to determine the precise fill level of the bathtub. Thanks to the (optional) integrated rechargeable battery, TLC Double can still be used even during a power outage.

### RELIABLE AND HYGIENIC

Ceramic cartridge from Flühs  
Membrane-free design with zero dead space

### QUICKACCESS

Three temperature settings and programmable flow rate

### FAIL-SAFE

Battery operation is activated in the event of a power outage  
Self-monitoring multiprocessor technology

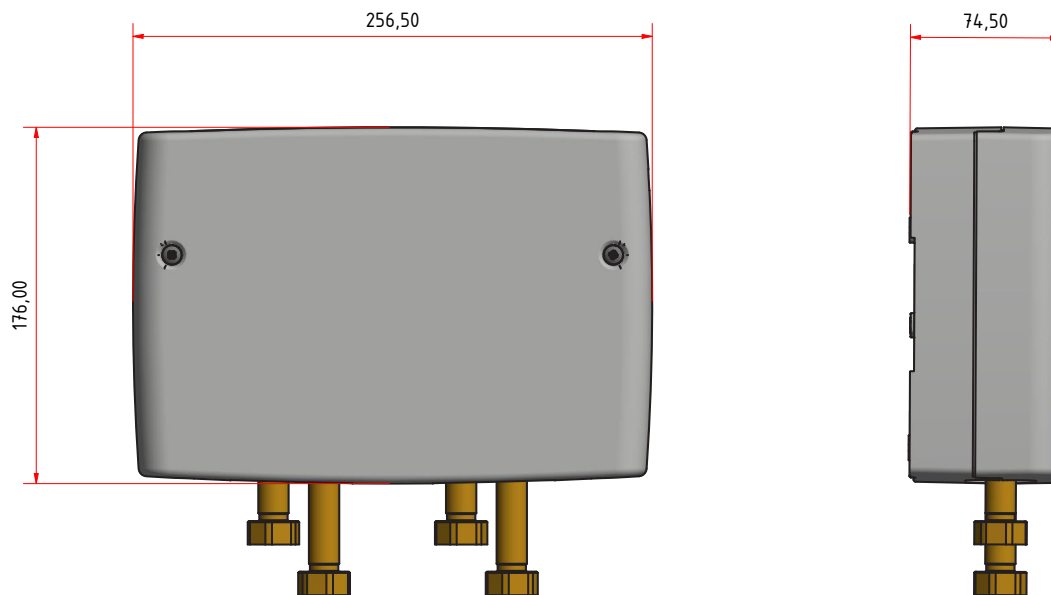
### HYWISE-COMPATIBLE

Easy integration into the digital water management system

**Oblamatik AG**  
La-Nicca-Strasse 12  
CH-7000 Chur

P+41 81 553 53 00  
sales@oblamatik.ch  
oblamatik.ch





**DIMENSIONS** 260 × 175 × 75 mm

# Specifications

## TECHNICAL DATA

### ELECTRONICS

#### POWER SUPPLY

100–240VAC / 50–60Hz

#### POWER CONSUMPTION

Standby <0.5W, max. 45W

#### ELECTRICAL OUTPUTS

Max. 4 external actuators  
(drain valve and solenoid valve)

### WATER PATH

#### INPUT

2 × Rp ½" plug nipple

#### OUTLET

2 × Rp ½" plug nipple

#### FLOW RATE

Shower: max. 30l/min at 3 bar  
Bathtub: max. 25l/min at 3 bar

#### PRESSURE RANGE

0.5–10 bar

## USER INTERFACES

- > TLI Air
- > TLI Vision Wheel
- > TLI Wheel
- > TLI Dual Wheel
- > Netlevel
- > RS232