



3 custom
QUICKACCESS SETTINGS

45 s
OPERATING PAUSE

LED feedback
TEMPERATURE
& FLOW RATE

from 40°C
SCALDING PROTECTION



TWINLEVEL^o TLI Wheel PATENTED

THE EASY-TO-USE OPERATING DEVICE

TLI Wheel is an easy-to-use and convenient user interface for all TLC mixing and flow valves. It not only controls each and every TLC function, it also features a minimalist design. The push button can be turned to adjust the temperature setting or simultaneously pressed and turned to regulate the flow rate – always maintaining the effortless and precision that is the hallmark of TLI products.

Three programmable quick access settings for temperature and flow rate make the user's favorite settings available in an instant. The LED ring provides subtle visual feedback, while integrated scalding protection ensures maximum safety.

EASY TO USE, CONVENIENT, AND HYGIENIC

Reliably effortless operation, hygiene functions, and a wide range of settings

VISUAL FEEDBACK

LED rings allow for visualization of the temperature and flow rate

QUICKACCESS

Three temperature settings and programmable flow rate

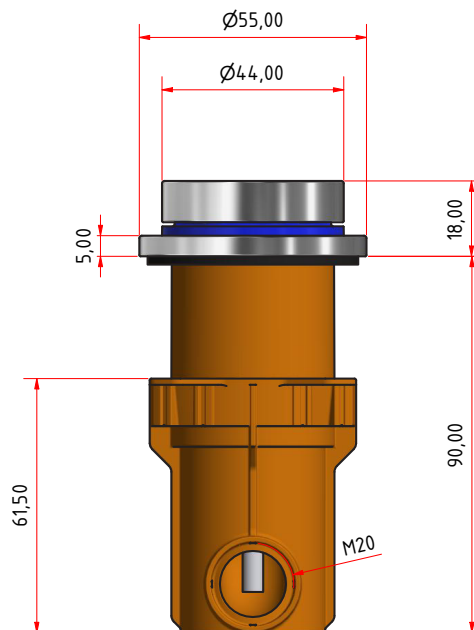
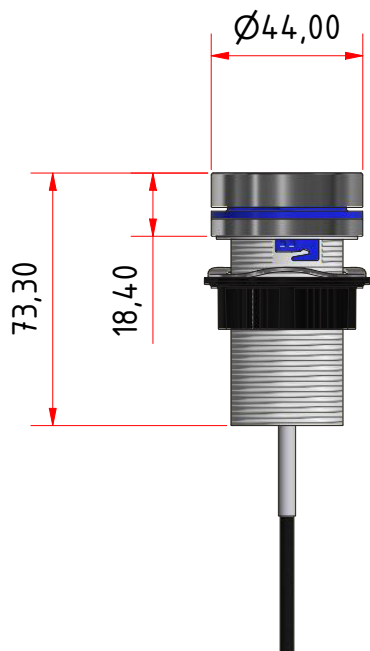
INTEGRIERTER VERBRÜHSCHUTZ

Gradual increase to temperatures greater than 40°C

Oblamatik AG
Gäuggelstrasse 7
CH-7000 Chur

T +41 81 286 70 00
sales@oblamatik.ch
oblamatik.ch





Specifications

FUNCTIONS

QUICKACCESS

Three programmable settings for temperature and flow rate

TOGGLE

Toggle between two water outlets

OPERATING PAUSE

45 s deactivation

AUTO SWITCH-OFF

Deactivates after 10/45 min of inactivity

SCALDING PROTECTION

Gradual increase to temperatures greater than 40° C

THERMAL DISINFECTION

Heats and flushes fixtures with 70° C water for 3 min

DIAGNOSTIC MODE

Functional test for TLC valves and error indicator

FACTORY SETTINGS

Reset to factory settings

PROTECTION CLASS

IP67

COMPATIBILITY

- > TLC Temperature
- > TLC Single
- > TLC Double
- > TLC Compact