



**0 – 100 %**  
CONTINUOUS FLOW  
CONTROL

**0.5 bis 10 bar**  
PRESSURE RANGE

**two M10x1**  
INPUT

**max. 18 l/min**  
FLOWRATE

**G 1/2 "**  
OUTLET

## TWINLEVEL<sup>o</sup> TLC Temperatur Flow

THE COMPACT THERMOSTATIC MIXER WITH A NEW GENERATION OF VALVES

The new valve generation TLC Flow will give the electronically controlled thermostatic mixing device TLC Temperature additional benefits when both devices are combined. The combination TLC Temperature with Flow connects top Quality Made in Switzerland with highest hygiene requirements, integrated scalding protection and delivers the potable water temperature exact and fast to the user.

In addition the product in combination with TLC Flow includes flow control capability and three individual settings are programmable in three Quick Access pre-sets. The intelligent and compact product is most suitable for faucets in the kitchen and bathroom.

#### RELIABLE AND HYGIENIC

Ceramic cartridge from Flühs, Membrane-free design with zero dead space.

#### QUICKACCESS

Three temperature settings and programmable flow rate.

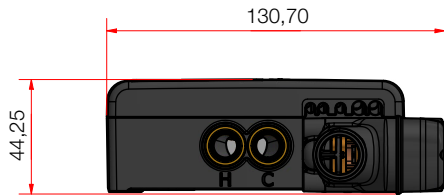
#### HYWISE-COMPATIBLE

Easy integration into the digital water management system

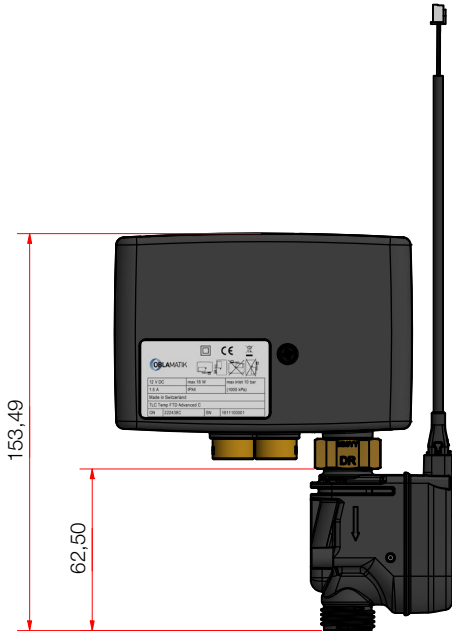
**Oblamatik AG**  
La-Nicca-Strasse 12  
CH-7000 Chur

T +41 81 553 53 00  
sales@oblamatik.ch  
oblamatik.ch

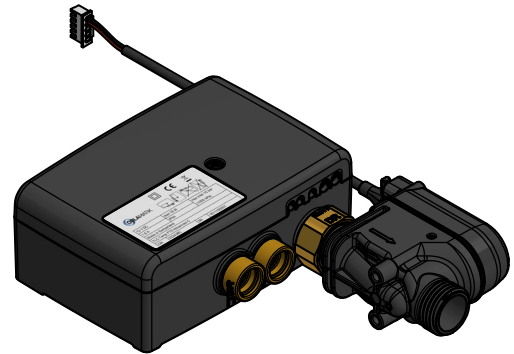
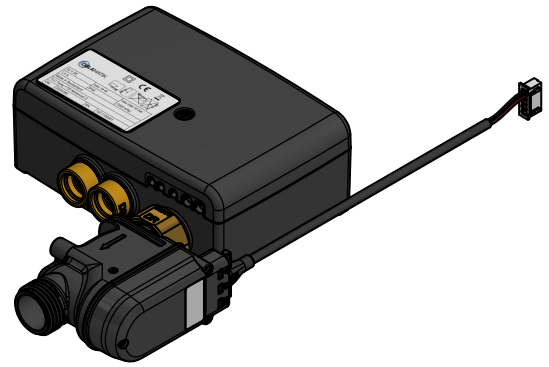




Angaben in [mm]



Angaben in [mm]



# Specifications

## TECHNICAL DATA

### DIMENSIONS

153 mm × 131 mm × 44 mm

### CONNECTIONS

Outlet G 1/2 ", inlet two M10x1

### POWER SUPPLY

12 VDC

### POWER CONSUMPTION

max. 15 W Standby 1 W

### PRESSURE RANGE

0.5 to 10 bar

### FLOWRATE

max. 18 l/min bei 3 bar, offener Ausgang

### FLOW OPERATION

The flow rate can be adjusted from 0 to 100%

### HYGIENE

No dead spaces. Guarantees high hygiene standards

## USER INTERFACES

- > TLI Wheel
- > TLI Mini
- > TLI Exchange
- > IoT WLAN
- > RS232