

LED feedback

TEMPERATURE
& FLOW RATE

3 custom

QUICKACCESS SETTINGS



45s

OPERATING PAUSE

from 40°C

SCALDING PROTECTION

TWINLEVEL^o TLI Dual Wheel

THE INTUITIVE OPERATING DEVICE FOR SHOWER AND BATH

TLI Dual Wheel is an intuitive user interface for TLC mixing valves in showers and bathtubs. Pressing the push button activates the water flow and turning the push button adjusts the temperature setting. Pressing the additional push button changes the showerhead setting, while turning it regulates the flow rate. Dividing the functions of TLI Dual Wheel between two push

buttons makes it especially intuitive and ideal for use at home, in hotels, and in public buildings. Three programmable quick access settings for temperature and flow rate make the user's favorite settings available in an instant. The LED rings provide subtle visual feedback, while integrated scalding protection ensures maximum safety.

EASY TO USE, CONVENIENT, AND HYGIENIC

Reliably effortless operation, hygiene functions, and a wide range of settings

VISUAL FEEDBACK

LED rings allow for visualization of the temperature and flow rate

QUICKACCESS

Three temperature settings and programmable flow rate

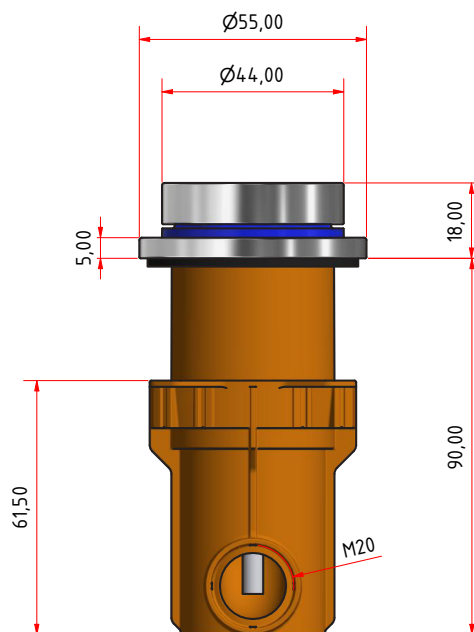
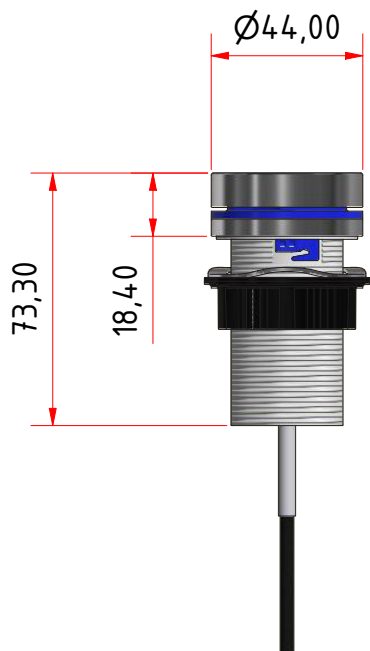
INTEGRIERTER VERBRÜHSCHUTZ

Gradual increase to temperatures greater than 40°C

Oblamatik AG
Gäuggelistrasse 7
CH-7000 Chur

T +41 81 286 70 00
sales@oblamatik.ch
oblamatik.ch





Specifications

FUNCTIONS

QUICKACCESS

Three programmable settings for temperature and flow rate

TOGGLE

Toggle between two water outlets

OPERATING PAUSE

45 s deactivation

AUTO SWITCH-OFF

Deactivates after 10/45 min of inactivity

SCALDING PROTECTION

Gradual increase to temperatures greater than 40° C

THERMAL DISINFECTION

Heats and flushes fixtures with 70° C water for 3 min

DIAGNOSTIC MODE

Functional test for TLC valves and error indicator

FACTORY SETTINGS

Reset to factory settings

PROTECTION CLASS

IP67

COMPATIBILITY

- > TLC Double
- > TLC Triple
- > TLC Compact